

# Technical data sheet



## Product features

### Induction hob counter top electric 12 power levels digital control panel 230 V

<b>Model</b>	<b>SAP Code</b>	00011148
--------------	-----------------	----------

– Control type: Digital



<b>SAP Code</b>	00011148	<b>Net Weight [kg]</b>	4.30
<b>Net Width [mm]</b>	330	<b>Power electric [kW]</b>	3.500
<b>Net Depth [mm]</b>	420	<b>Loading</b>	230 V / 1N - 50 Hz
<b>Net Height [mm]</b>	100		

# Technical data sheet

Technical drawing

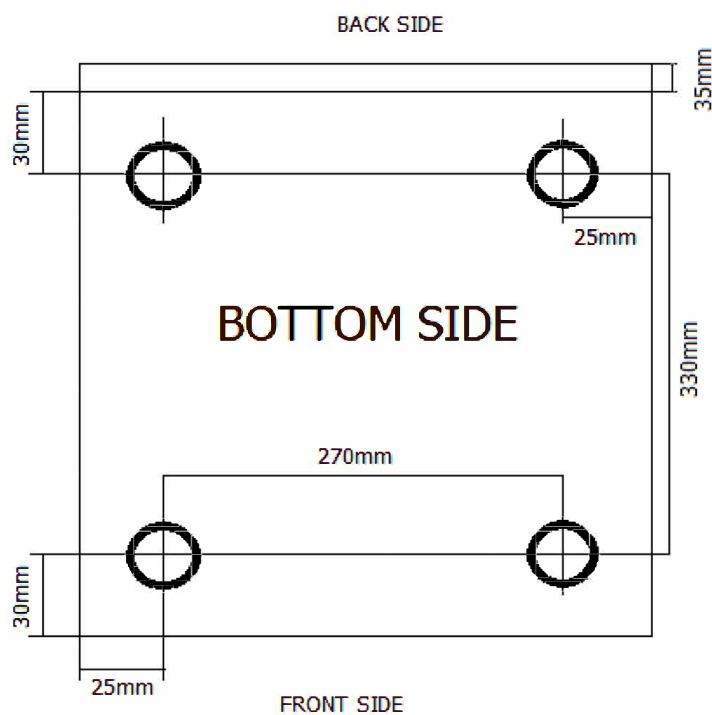
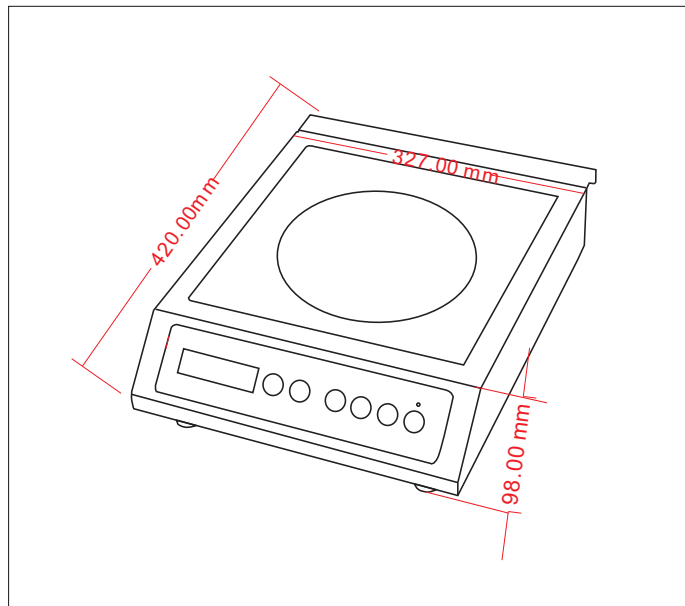


Induction hob counter top electric 12 power levels digital control panel 230 V

Model

SAP Code

00011148



# Technical data sheet



## Product benefits

### Induction hob counter top electric 12 power levels digital control panel 230 V

Model

SAP Code

00011148

1

#### Power consumption 3.5kW

high performance  
– fast heating

2

#### Induction heating

heating efficiency  
– cost and time saving

3

#### All-stainless design

ensuring long life  
high hygiene standard  
– safe and safe food preparation; long service life;  
easy cleaning facilitates compliance with hygiene standards (HACCP)

4

#### Digital control

precise control  
– less control error  
– more comfortable operation

5

#### LED Display

legible power settings  
– less control error

6

#### Table version

easily portable  
– can be placed anywhere on the table

# Technical data sheet



Technical parameters

## Induction hob counter top electric 12 power levels digital control panel 230 V

**Model**

**SAP Code**

00011148

**1. SAP Code:**

00011148

**8. Gross Height [mm]:**

150

**2. Net Width [mm]:**

330

**9. Gross Weight [kg]:**

5.50

**3. Net Depth [mm]:**

420

**10. Device type:**

Electric unit

**4. Net Height [mm]:**

100

**11. Power electric [kW]:**

3.500

**5. Net Weight [kg]:**

4.30

**12. Loading:**

230 V / 1N - 50 Hz

**6. Gross Width [mm]:**

380

**13. Control type:**

Digital

**7. Gross depth [mm]:**

500